

A circular logo with a yellow border containing the text "VOtech DS4" in white. The background of the slide features a vertical bar on the left with a blue and white pixelated pattern and the word "EURO" in large blue letters.

VOtech
DS4

DS4* User Tools

Breakout Session Summary

WP Manager
Markus Dolensky, ESO

*DS ... Design Study

Topics of Session

- DS4 Overview
- Brainstorming
- Team Comm./How2Proceed

„Design of VO-compliant end-user tools“

[...] based on input from EURO VO Facility Centre and
Scientific Community.*

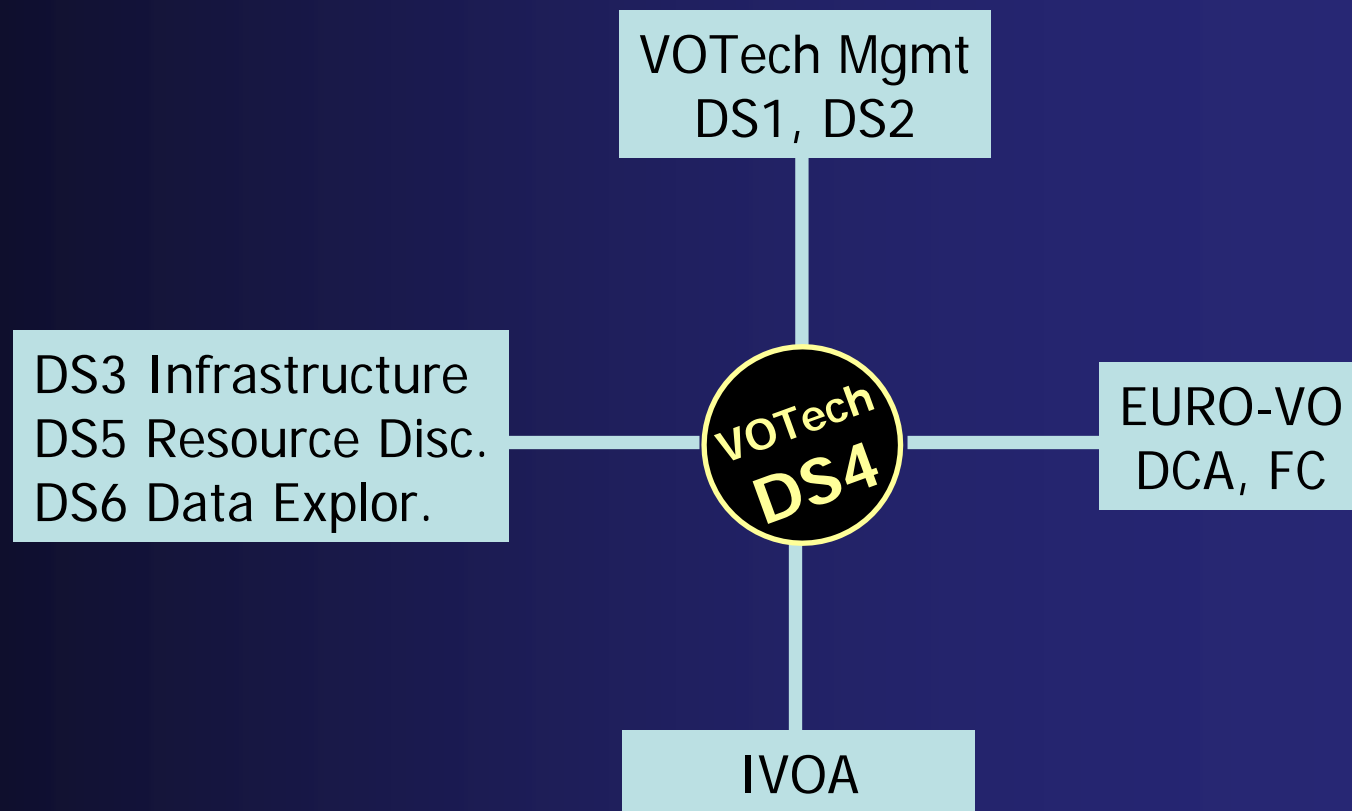
*depicted from VOtech proposal

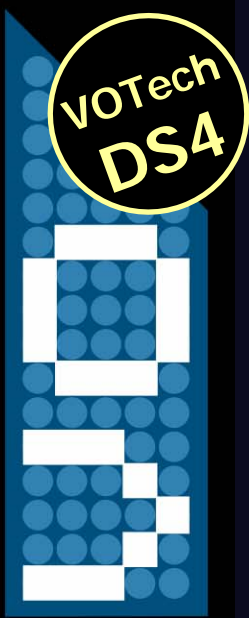
Human Resources

Institution	#
Astrogrid	1
CNRS	2
ESO	2
INAF	1

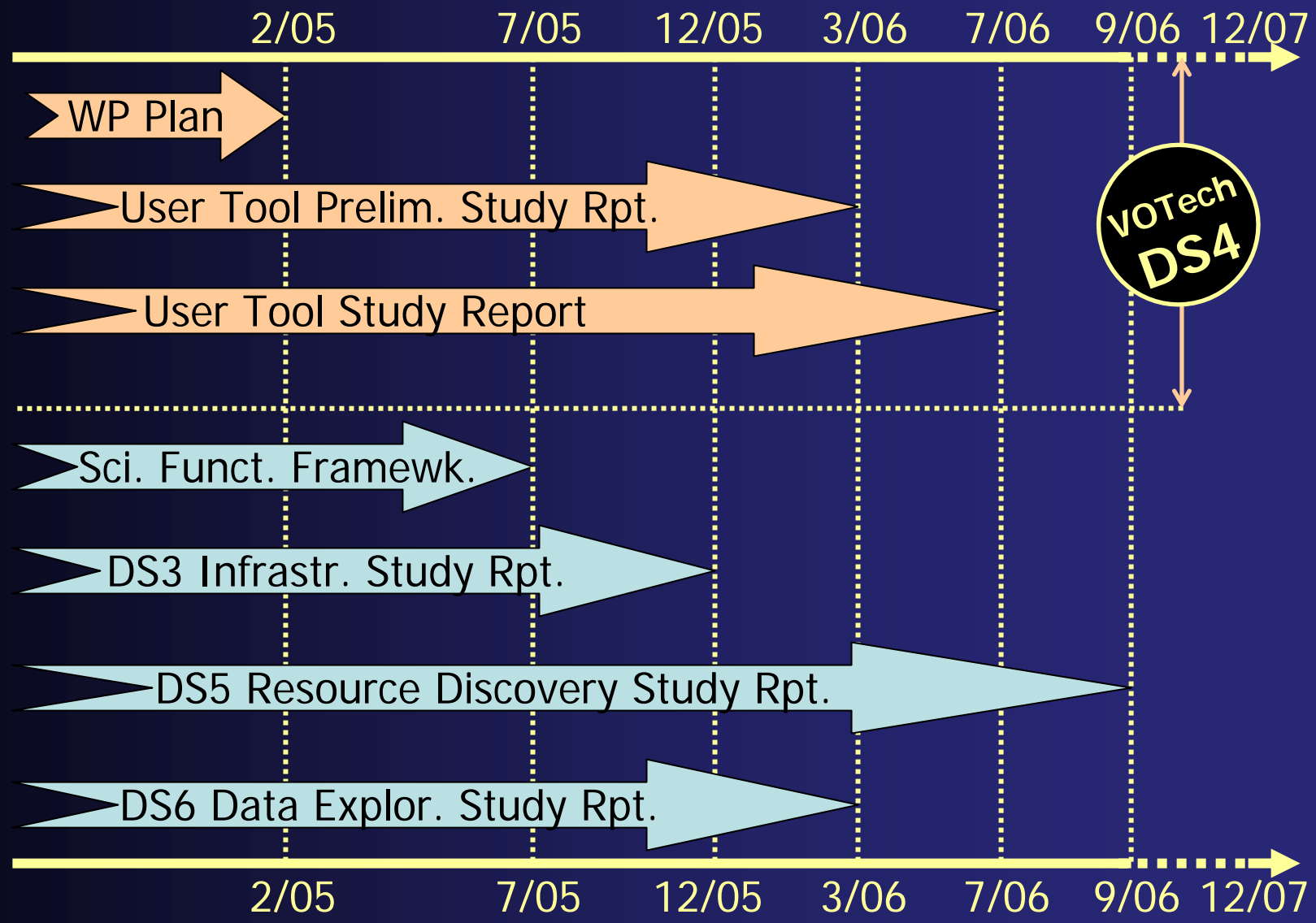


DS4 Context within VOtech





Timeline



VO Tech Kickoff Meeting, DS4 User Tools, Cambridge, IoA, 19-Nov-2004

VO Enabled User Tools: Ideas from Brainstorming Session

- VO Portal
 - entry point, browser, access to data reduction
- multiwave image tool
- best fitting
- SED builder from archival data (& catalogues)
- X-matcher
- footprint (spatial coverage)
- access to theoretical data
- robotic telescope interface
- generic source extraction
- workflow: builder, monitor

Potential Deliverables

VOtech
DS4

- WP plan (2/05)
- prelim. study report (3/06)
- study report (7/06)
- demo support
- liaise with DCs
- ...

Team Communication

VOtech
DS4

- mailing list: votech-ds4@euro-vo.org
- collaborative page: action on Markus
- contact for follow-up (persons in room)
 - ESO: Markus Dolensky
 - Astrogrid: Keith Noddle
 - CDS: Mark Allen
 - INAF: Ugo Becciani
 - ESA: Pedro Osuna
 - Starlink: Malcolm Currie

How to Proceed

- (circulate) list of existing *VO-ish* tools
- identify interested tool builders
- collect use cases
- initiate planning process



VOtech
DS4

FUTURE VISION